

CATALOG PRODUCT



Supported by :

TM **Tangga Mas Jaya Makmur** PT.
SCAFFOLDING MANUFACTURER

Certified by :

BS - 1139
BRITISH STANDARDS
CERTIFIED

JIS - G 3444
JAPANESE INDUSTRIAL STANDARDS
CERTIFIED

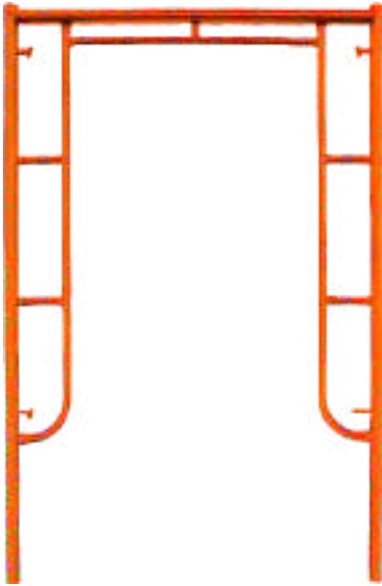
LOAD OF TEST
CERTIFIED

SGS
CERTIFIED

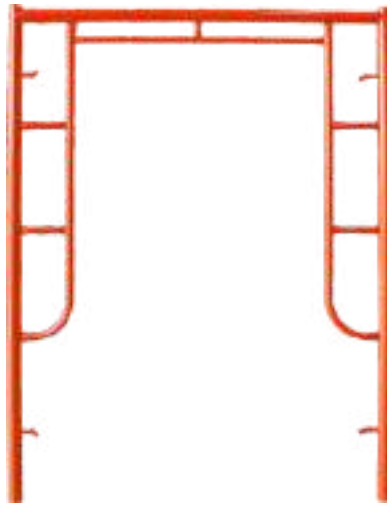
SERTIFIKAT
TKDN
TINGKAT KANDUNGAN DALAM NEGERI

Kementerian
Perindustrian
REPUBLIK INDONESIA

FRAME SYSTEM



Main Frame
T-190



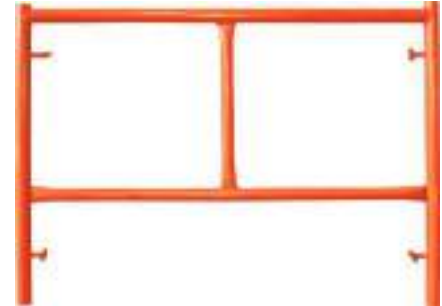
Main Frame
T-170



Main Frame
CB 220
CB 190



Join Pin
A20



Ladder Frame
T-90



Catwalk



Stair
T-190
T-170

Pipe Support
TS-90





U - Head
T-60



Jackbase
T-60



Caster Wheel
8 Inch
6 Inch



BEKISTING SYSTEM



Suri - Suri Beam Rill
1.5, 2M



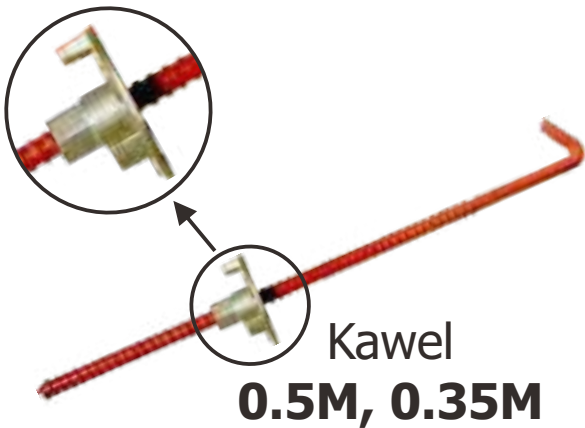
Sabuk Kolom
0.75M, 1.2M



UNP
80x45x5mm, 100x50x5mm - 1M
80x45x5mm, 100x50x5mm - 2M
80x45x5mm, 100x50x5mm - 3M
80x45x5mm, 100x50x5mm - 4M
80x45x5mm, 100x50x5mm - 6M



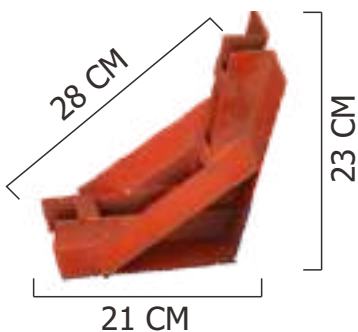
Hollow
50x50x2MM - 1M
50x50x2MM - 2M
50x50x2MM - 3M
50x50x2MM - 4M
50x50x2MM - 6M



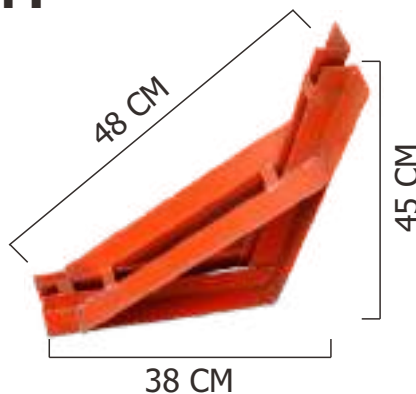
Kawel
0.5M, 0.35M



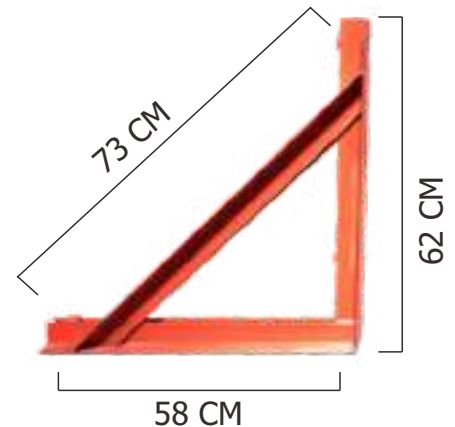
Angle Beam



Beam Clamp A
(28 x 21 x 23)



Beam Clamp B
(48 x 38 x 45)



Beam Clamp C
(62 x 58 x 73)



BEKISTING SYSTEM



Tie Rod
1M, 1.5M



Wingnut



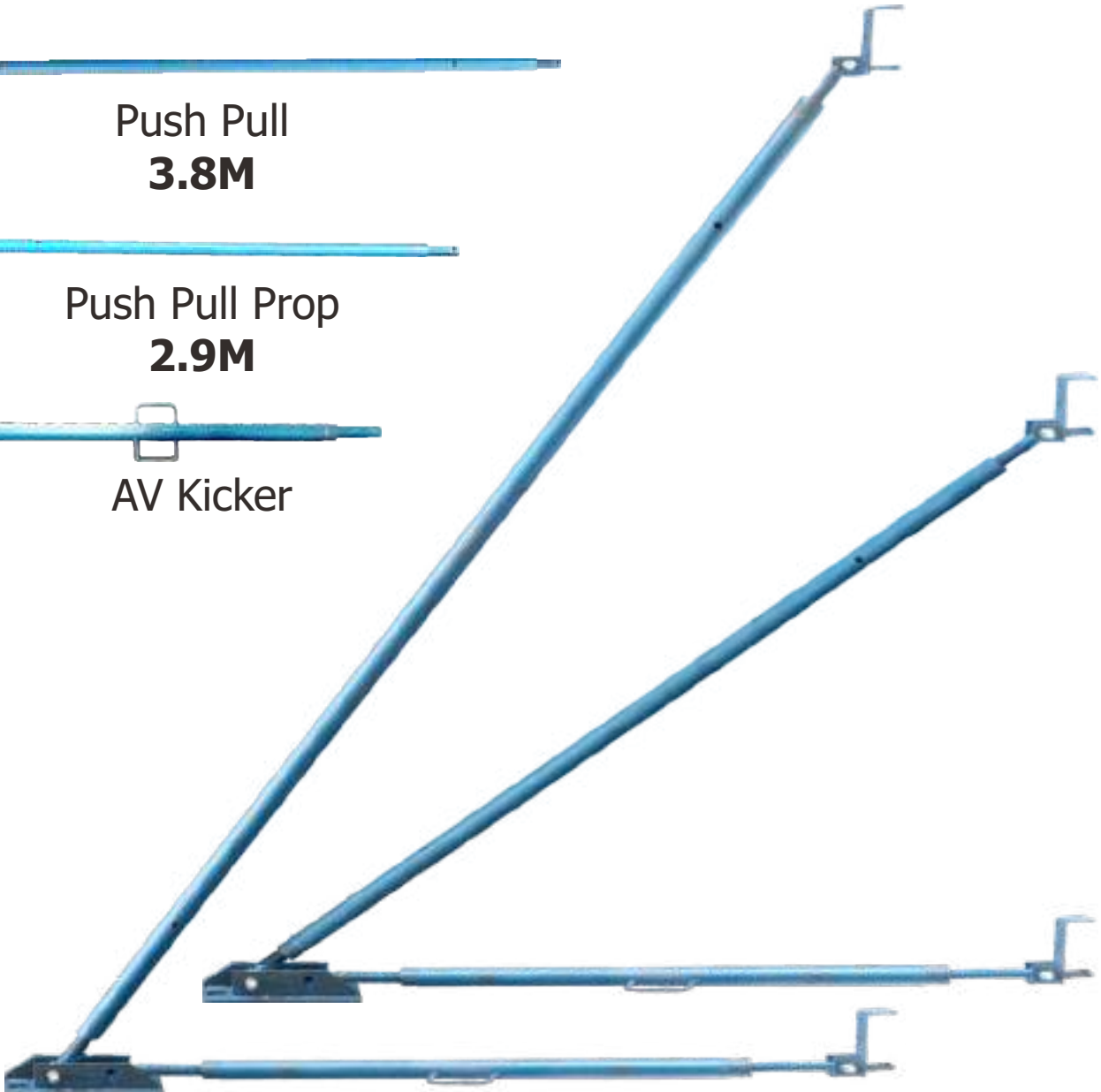
Push Pull
3.8M



Push Pull Prop
2.9M



AV Kicker





TUBULAR SYSTEM



Galvanized pipe
1.5" 3.2mm
1M, 2M, 3M, 4M, 6M



Black pipe 1.25" x 1.8mm
1.5M, 2M, 3M, 6M



Metal Plank
1M, 2M, 3M, 4M



Fix / Swivel
Clamp



Fix / Swivel Clamp
Drop Forged



Girder Fix / Swivel
Drop Forged Coupler



Fix / Swivel
Beam Clamp



Board Retaining
Coupler



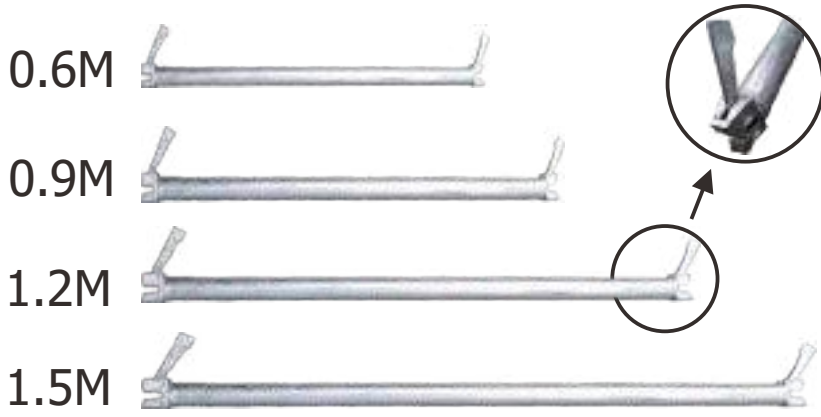
Inner Joint Pin



Sleeve Coupler



RINGLOCK SYSTEM



Ringlock Ledger



Ringlock Standard
0.5M 1M 1.5M 2M



Ringlock Catwalk
0.9M, 1.2M, 1.5M



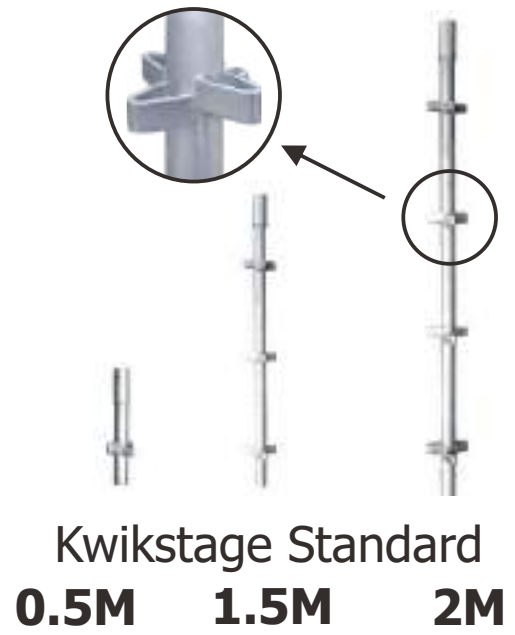
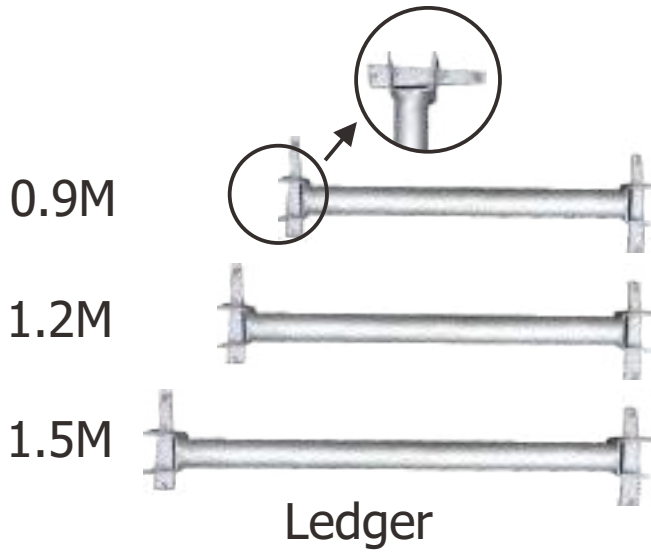
Ringlock Stair
0.9M, 1.2M, 1.5M



Diagonal Brace
1.2M, 1.5M



KWIKSTAGE SYSTEM





OUR OFFICE

SURABAYA

Jl. Raya Kalijaten No. 103, Kalijaten
Kec. Taman - Sidoarjo
Hp : **0852 3201 4668 / 0812 7702 557**
Tlpn : **031 - 9979 3917 / 031 - 9979 3918**
Email : sni.scaffolding@gmail.com

GRESIK

Dr. Wahidin Desa Kembangan
RT/004 RW/008 Kebomas - Gresik
Hp : **0822 3356 3400**
Email : sni.scaffolding@gmail.com

MALANG

Jl. Raya Ampeldento Curampel
(Depan Brimob) Pakis, Malang
Hp : **0812 7702 559 / 0856 5504 9772**
Tlpn : **0341 - 301 5931**
Email : sni.scaffolding@gmail.com

SEMARANG

Jl. Sawah Besar XIII No. 42-43 Kaligawe
Kec. Gayamsari, Semarang
Hp : **0819 1535 6999 / 0852 3403 0707**
Tlpn : **024 - 764 50543**
Email : sni.scaffolding@gmail.com

BANYUWANGI

Tegalwero, Blimbingsari, Kec. Rogojampi
Kab. Banyuwangi
Hp : **0812 1708 1819 / 0812 3829 1396**
Tlpn : **0333 - 637 2076**
Email : sni.scaffolding@gmail.com

BANDUNG

Jl. Sadang Buntu No. 26, Margasuka
Babakan Ciparay - Bandung
Hp : **0813 8017 3830 / 0812 3242 3916**
Email : sni.scaffolding@gmail.com

NGAWI

Jl. Ir. Soekarno, Dsn Bulung RT. 03 RW. 09
Ds. Kartoharjo, Kec. Ngawi - Ngawi
Hp : **0812 7702 559 / 0812 1895 189**
Email : sni.scaffolding@gmail.com



SCAN ME

BRAND PARTNER

BANJARMASIN

- Jl. Raya Beruntung Jaya No. 02
RT. 45 RW. 04 Banjarmasin
- Central Pergudangan Banjarmasin Tahap II
Jl. Ahmad Yani KM 13,5 No. 99 - 2Q
Hp : **0812 5166 888**
Tlpn : **0511 - 422 1577 / 0511 - 422 1578**
Email : go.rent.banjarmasin@gmail.com

TANGERANG

Ruko Mendrisio 1, Blok D-23,
Jl. Boulevard IL Lago Paramount
Serpong - Tangerang
Hp : **0811 893 996 / 0811 9108 099**
Tlpn : **021 - 2222 1052 / 021 - 2222 2052**
Email : go.rent.tangerang@gmail.com